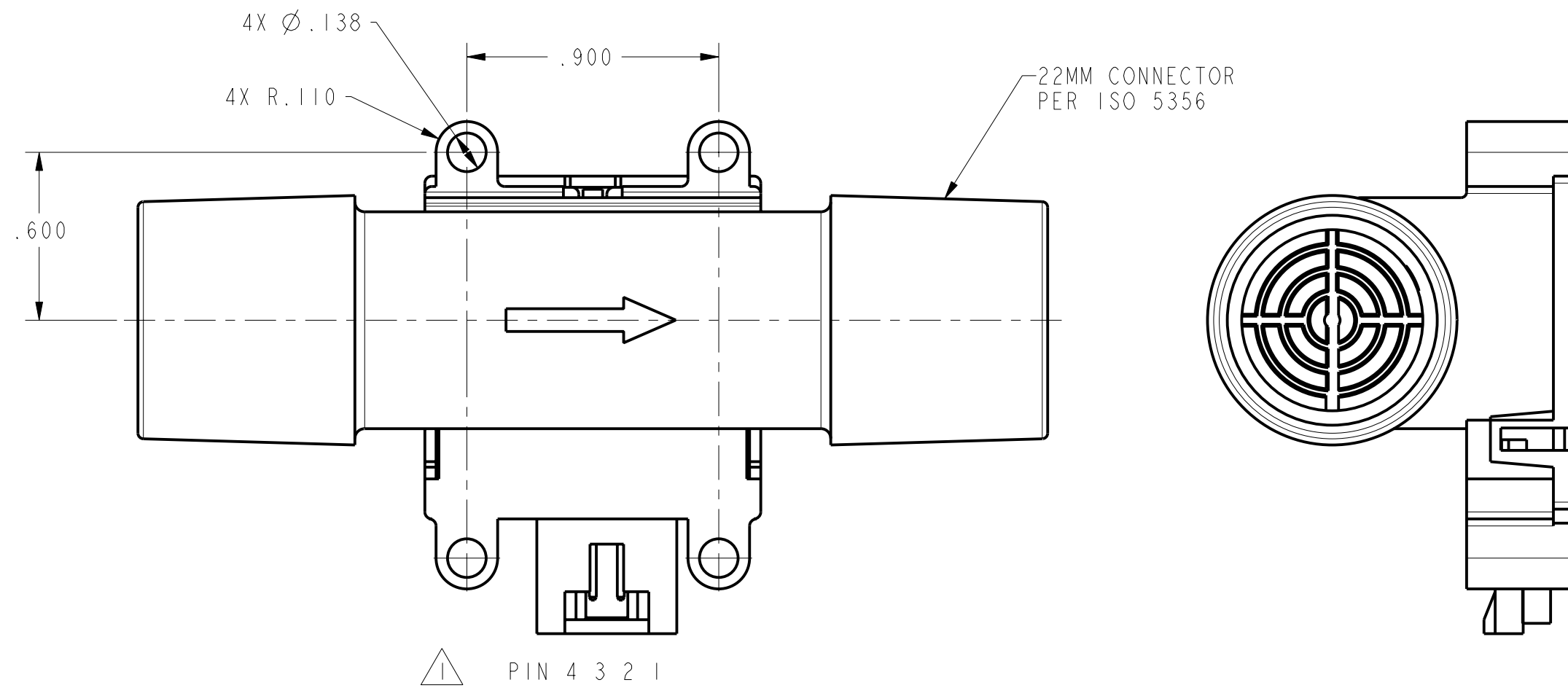


REV	DOCUMENT	CHANGED BY	CHECK
1	201052	SAV 14AUG00	SAV



FLOW RANGE (FULL SCALE)	+200 SLPM		
	MIN	TYP	MAX UNITS
EXCITATION (2)	9.990		10.010 Vdc
POWER SUPPLY	8.000	---	15.000 Vdc
POWER CONSUMPTION	60 MAX		mW
OUTPUT LOADING			
SINKING	10		mA
SOURCING	20		mA
CALIBRATION GAS	AIR		
NULL VOLTAGE SHIFT			
+25 TO -25°C, +25 TO +85°C	±.025 TYP		Vdc
FULL SCALE OUTPUT SHIFT			
+25 TO +10 °C	-2.0		%READING
+25 TO +40°C	+2.0		%READING
RATIOMETRICITY ERROR (2)	±0.30 TYP		%READING
REPEATABILITY & HYSTERESIS	±0.50 MAX		%READING
RESPONSE TIME (1)	6 TYP		mSEC
PRESSURE DROP @ FULL SCALE	1.0 (2.5) TYP		"H2O (mBAR)
OVERPRESSURE	1.7 MAX		Bar
TEMPERATURE RANGE			
OPERATING	-25 TO +85°C (-13 TO +185°F)		
STORAGE	-40 TO +90°C (-40 TO +190°F)		
WEIGHT	34 (1.20)	GRAM (OZ)	
CONNECTOR - 4 PIN RECEPTACLE	HONEYWELL SS12143 / AMP 103956-3		

FLOW SPECIFICATIONS	FLOW (SLPM)	NOMINAL (Vdc)	±TOL (Vdc)
	0	1.000	0.05
	25	2.99	TYP
	50	3.82	0.18
	75	4.30	TYP
	100	4.58	TYP
	150	4.86	TYP
	200	5.000	0.36

1) RESPONSE TIME IS TYPICALLY 6 mS FROM 10 TO 90%.
2) OUTPUT VOLTAGE IS RATIOMETRIC TO SUPPLY VOLTAGE.

NOTES
 △ PIN 1 = N/A
 PIN 2 = V-
 PIN 3 = V+ (10V DC NOMINAL)
 PIN 4 = OUTPUT

UNLESS OTHERWISE SPECIFIED TOLERANCES ARE: NO PLACE X ±.040 ±1 ONE PLACE .X ±.030 ±0,4 TWO PLACE .XX ±.015 ±0,15 THREE PLACE .XXX ±.005 ± ANGLES ± RAW MATERIAL-COMMERCIAL STANDARD	<input checked="" type="checkbox"/> US (inch) CUSTOMARY	<input type="checkbox"/> SI (mm) METRIC	DRAWN SAV 14AUG00	Honeywell Sensing and Control TITLE MASS AIRFLOW SENSOR (200 LPM)	
	THIRD ANGLE PROJECTION		CHECK SAV 14AUG00		
THIS DRAWING COVERS A PROPRIETARY ITEM AND IS THE PROPERTY OF HONEYWELL SENSING AND CONTROL. THIS DRAWING IS NOT TO BE COPIED OR USED WITHOUT THE PERMISSION OF HONEYWELL.			C	M	AWM720P1
DIMENSIONS ARE TO BE MET BEFORE PROTECTIVE COATINGS ARE APPLIED			3D PTC	SCALE 2:1	WEIGHT SHEET 1 OF 1
ASME Y14.5M-1994					